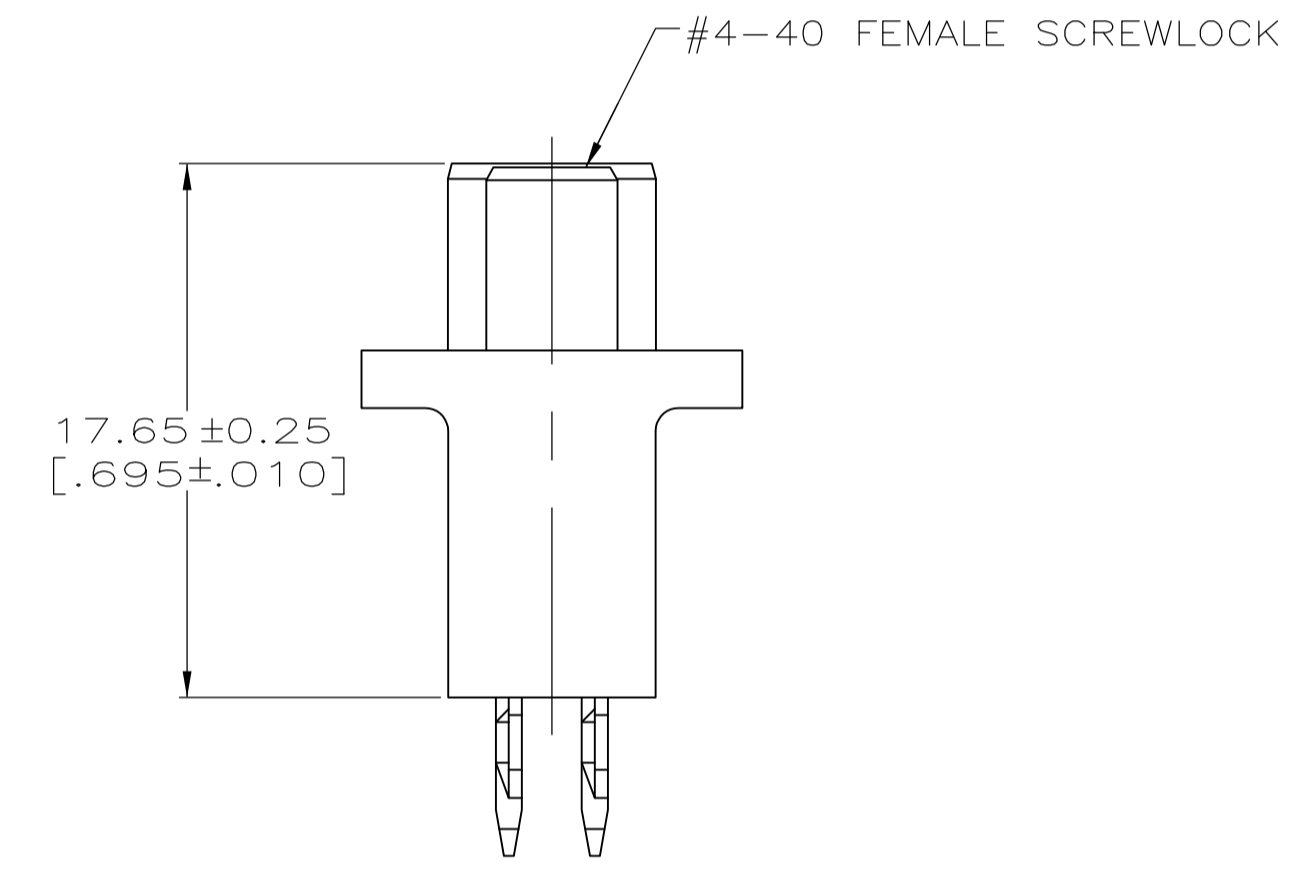
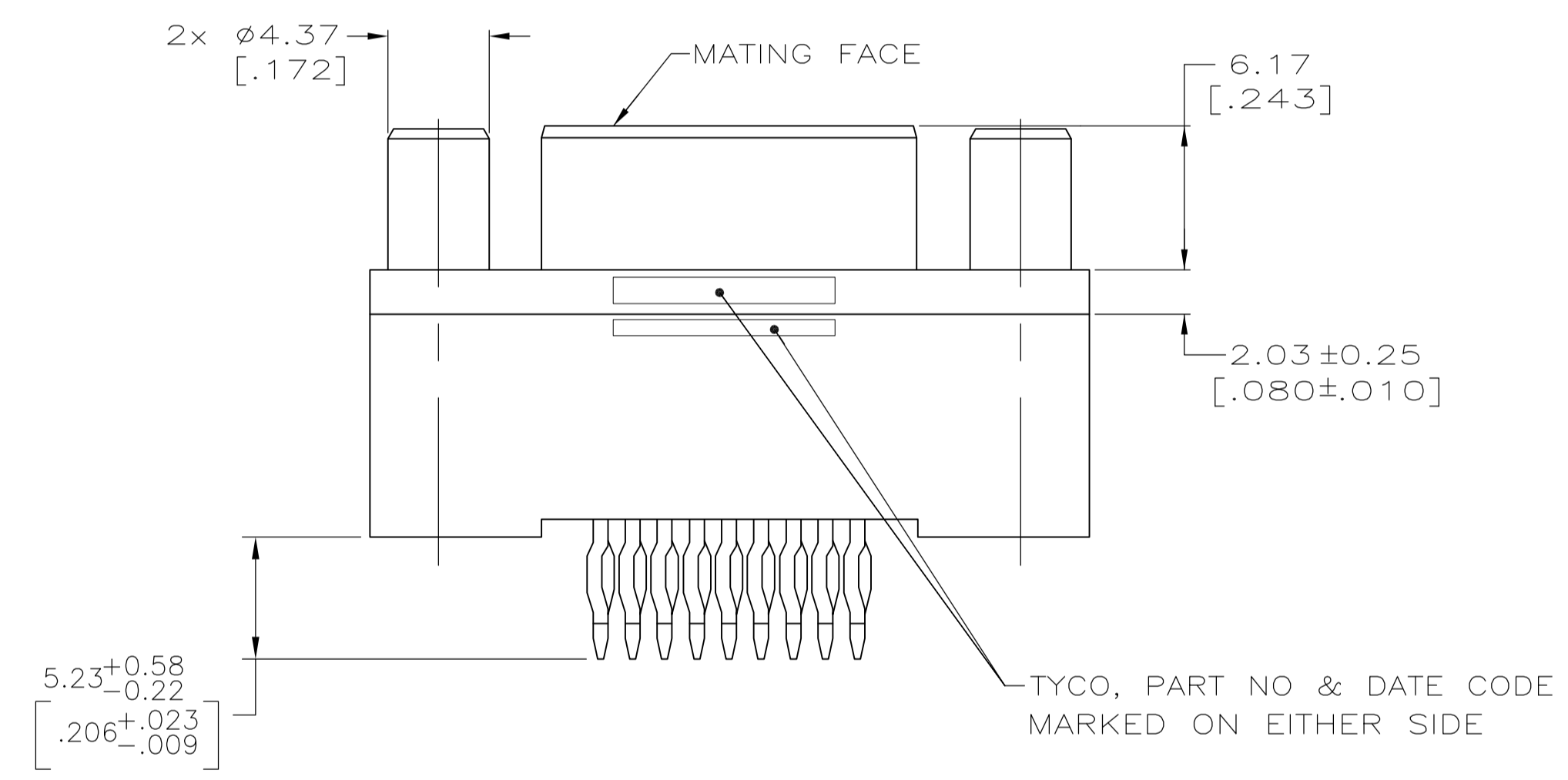
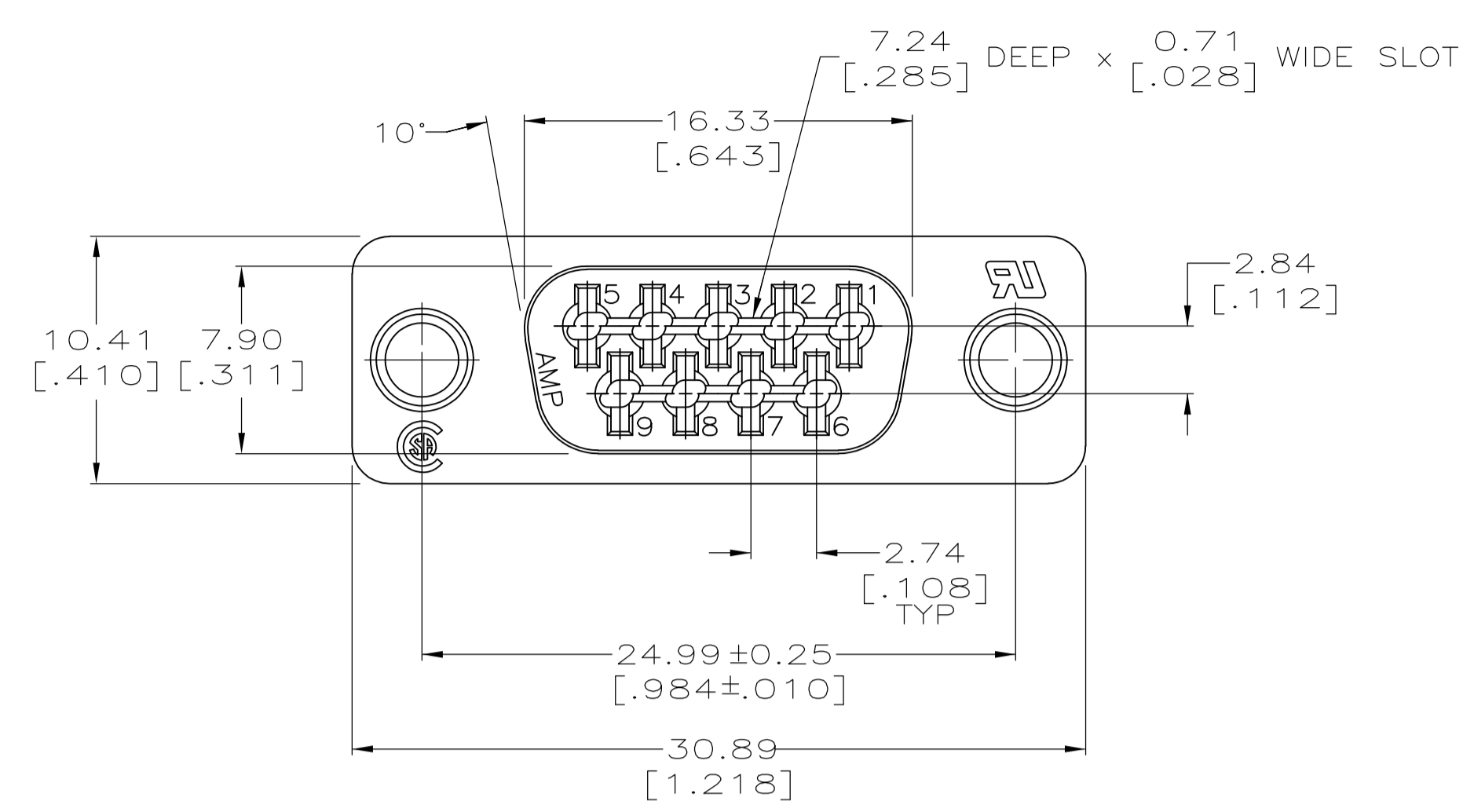


| LOC | | DIST | | REVISIONS | | | |
|-----|----|---------|-----|---------------|-----------|-----|------|
| GP | 00 | P | LTR | DESCRIPTION | DATE | DWN | APVD |
| C | | REVISED | PER | ECO-12-000090 | 25JAN2012 | CJV | SLB |



- 1 FOR USE WITH 2.36 (.093) MINIMUM THICK PRINTED CIRCUIT BOARD. REFER TO APPLICATION SPECIFICATION FOR PRINTED CIRCUIT BOARD LAYOUT DIMENSIONS AND FINISH RECOMMENDATIONS.
- 2 MATERIAL:
HOUSING: GLASS-FILLED NYLON OR POLYESTER, UL94V-0 RATED, COLOR:BLACK.
CONTACTS: COPPER ALLOY.
SCREWLOCKS: BRASS.
- 3 SCREWLOCKS: 0.00127[.000050] MIN NICKEL OVER COPPER FLASH.
- 4 CONTACTS:
0.76 MICROMETERS [.000030]MIN GOLD IN MATING AREA.
2.54 MICROMETERS [.000100]MIN TIN ON COMPLIANT PIN.
ALL OVER 1.27 MICROMETERS [.000050]MIN NICKEL.
OR
GOLD FLASH OVER PALLADIUM NICKEL.
0.76 MICROMETERS [.000030]MIN TOTAL IN MATING AREA.
2.54 MICROMETERS [.000100]MIN TIN ON COMPLIANT PIN.
ALL OVER 1.27 MICROMETERS [.000050]MIN NICKEL.

5745455-2
PART NUMBER

| | | | | |
|--|--|---------------------------------|--------------------------------|------------------------------|
| THIS DRAWING IS A CONTROLLED DOCUMENT. | | DIN G. PETERS/DTI 19MAR06 | STE TE Connectivity | |
| DIMENSIONS: mm [INCHES] | | CHK S. BOLASH 19MAR06 | NAME M. WALMSLEY 19MAR06 | |
| TOLERANCES UNLESS OTHERWISE SPECIFIED: | | PRODUCT SPEC | | |
| 0. PLC ± - | | 108-40014 | | |
| 1. PLC ± - | | APPLICATION SPEC | | |
| 2. PLC ± 0.13 [.005] | | 114-40026 1 | | |
| 3. PLC ± - | | SIZE | CAGE CODE | DRAWING NO |
| 4. PLC ± - | | A1 | 00779 | 5745455 |
| ANGLES ± - | | WEIGHT | RESTRICTED TO | |
| MATERIAL | | CUSTOMER DRAWING | | SCALE 4:1 SHEET 1 OF 1 REV C |